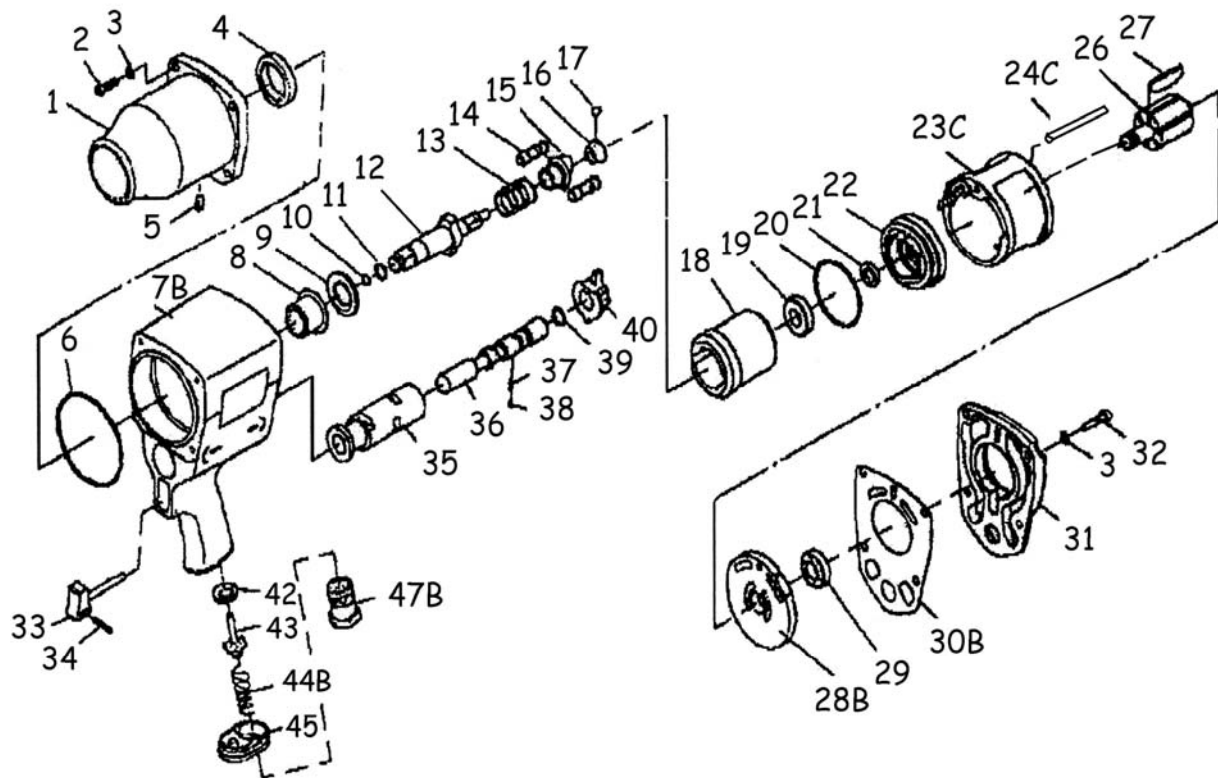


3/4" Impact wrench - Schlagschrauber - Boulonneuse - Slagmoersleutel



ITEM NO.	REF. NO.	DESCRIPTION
1	AV0001	HAMMER CASE
2	AV0002	CAP SCREW (4)
3	AV0003	SPRING WASHER (8)
4	AV0004	OIL SEAL
5	AV0005	PLUG
6	AV0006	O RING
7B	AV0007	MOTOR HOUSING
8	AV0008	BUSHING
9	AV0009	SPACER
10	AV0010	O RING
11	AV0011	ANVIL COLLAR
12	AV0012	ANVIL
13	AV0013	SPRING
14	AV0014	HAMMER PIN (2)
15	AV0015	CAM
16	AV0016	CAM FOUNDATION
17	AV0017	STEEL BALL
18	AV0018	HAMMER CAGE
19	AV0019	BALL BEARING
20	AV0020	O RING
21	AV0021	OIL SEAL
22	AV0022	FRONT END PLATE
23C	AV0023	CYLINDER
24C	AV0024	SPRING PIN
26	AV0025	ROTOR

ITEM NO.	REF. NO.	DESCRIPTION
27	AV0026	ROTOR BLADE (6)
28B	AV0027	REAR END PLATE
29	AV0028	BALL BEARING
30B	AV0029	GASKET
31	AV0030	REAR COVER
32	AV0031	CAP SCREW (4)
33	AV0032	TRIGGER
34	AV0033	SPRING PIN
35	AV0034	VALVE SLEEVE
36	AV0035	REVERSE VALVE
37	AV0036	SPRING PIN
38	AV0037	STEEL PIN
39	AV0038	O RING
40	AV0039	REGULATOR KNOB
42	AV0040	BUSHING
43	AV0041	VALVE STEM
44B	AV0042	SPRING
45	AV0043	EXHAUST COVER
47B	AV0044	AIR INLET
*48		LEAD HOSE
*49		HOSE CLAMPER
*50		HEX. NUT
*51		ROUND HEAD SCREW
*52		EXHAUST HOSE
		LEAD HOSE