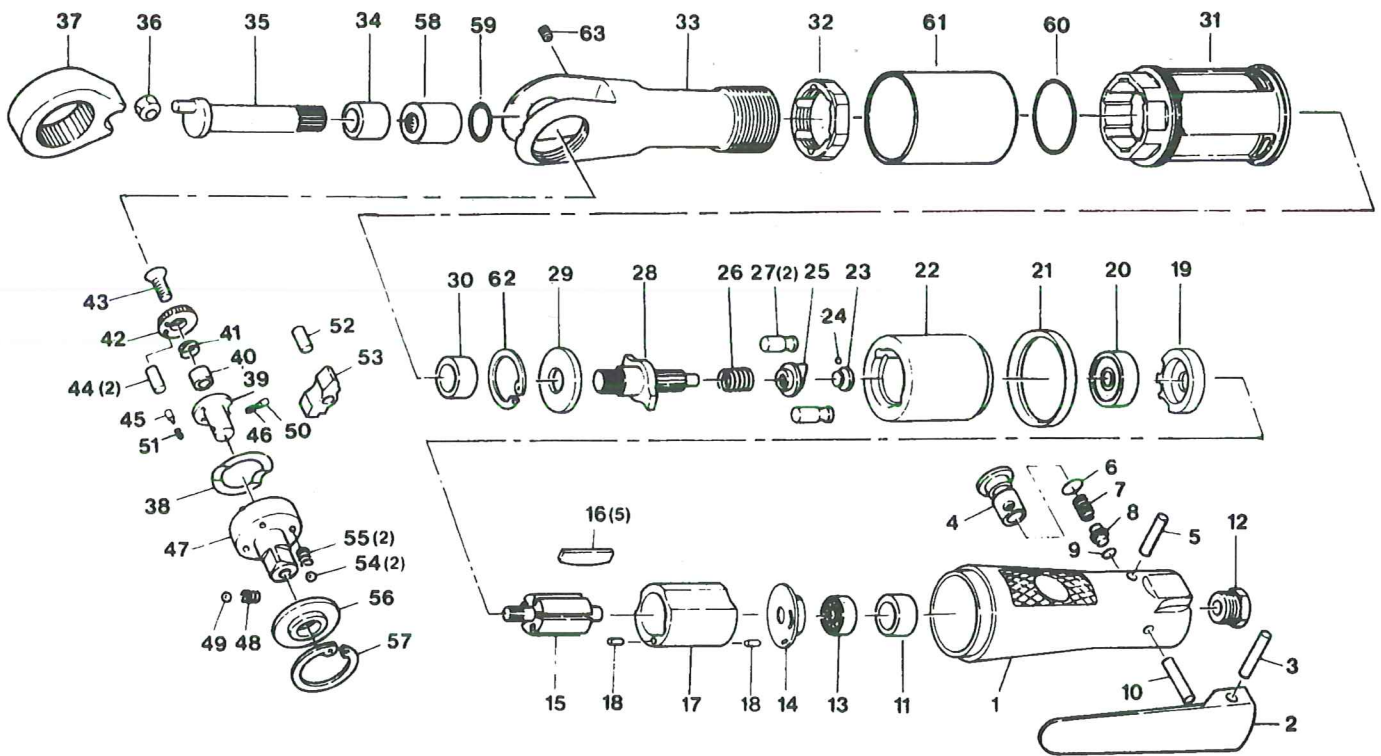


3/8" & 1/2" SQ.DR. RATCHEPACT™

SP-1175B&SP-1176B

1256

RatchePact™



PAT. PENDING

PARTS LIST

INDEX	PART NO.	DESCRIPTION	QTY.
1	175B01	Motor Housing	1
2	175B02	Throttle Lever	1
3	175B03	Lever Pin	1
4	175B04	Regulator	1
5	175B05	Throttle Lever Pin	1
6	175B06	Valve Screw O-Ring	1
7	175B07	Throttle Valve Spring	1
8	175B08	Throttle Valve	1
9	175B09	Throttle Valve O-Ring	1
10	175B10	Throttle Plunger	1
11	175B11	Bearing Cap	1
12	175B12	Inlet Bushing	1
13	175B13	Rear Rotor Ball Bearing	1
14	175B14	Rear End Plate	1
15	175B15	Rotor	1
16	175B16	Rotor Blade	5
17	175B17	Cylinder	1
18	175B18	Dowel Pin	2
19	175B19	Front End Plate	1
20	175B20	Front Rotor Ball Bearing	1
21	175B21	Lock Spacer	1
22	175B22	Hammer Cage	1
23	175B23	Cam Ball Pilot iiot	1
24	175B24	Cam Ball	1
25	175B25	Cam Hammer	1
26	175B26	Cam Release Spring	1
27	175B27	Anvil Hammer Pin	2
28	175B28	Anvil	1
29	175B29	Anvil Spacer	1
30	175B30	Housing Bushing	1
31	175B31	Clutch Housing	1
32	175B32	Clamp Nut	1

INDEX	PART NO.	DESCRIPTION	QTY.
33	175B33	Ratchet Housing	1
34	175B34	Crankshaft Bushing	1
35	175B35	Crankshaft	1
36	175B36	Drive Bushing	1
37	175B37	Ratchet Yoke	1
38	175B38	Wear Washer	1
39	175B33-176B33	Reverse Shaft (3/8"•1/2")	1
40	175B40	Reverse Collar	1
41	175B41	Reverse Knob Spring	1
42	175B42	Reverse Knob	1
43	175B43	Reverse Knob Screw	1
44	175B44	Reverse Push Pin	2
45	175B45	Lock Pin	1
46	175B46	Ratchet Spring	1
47	175B47	Ratchet Anvil (3/8")	1
	176B47	Ratchet Anvil (1/2")	1
48	175B48-176B48	Spring (3/8"•1/2")	1
49	175B49-176B49	Steel Ball (3/8"•1/2")	1
50	175B50	Lock Pin	1
51	175B51	Ratchet Spring	1
52	175B52	Ratchet Pawl Pin	1
53	175B53	Ratchet Pawl	1
54	175B54	Detent Ball	2
55	175B55	Detent Spring	2
56	175B56-176B56	Thrust Washer (3/8"•1/2")	1
57	175B57	Anvil Retaining Ring	1
58	175B58	Coupring	1
59	175B59	O-Ring	1
60	175B60	O-Ring	1
61	175B61	Pipe	1
62	175B62	Retaining Ring	1
63	175B63	Grease Fitting	1

The types and specifications may be changed with or without notice.
175B • 176B 8705
Printed in Japan