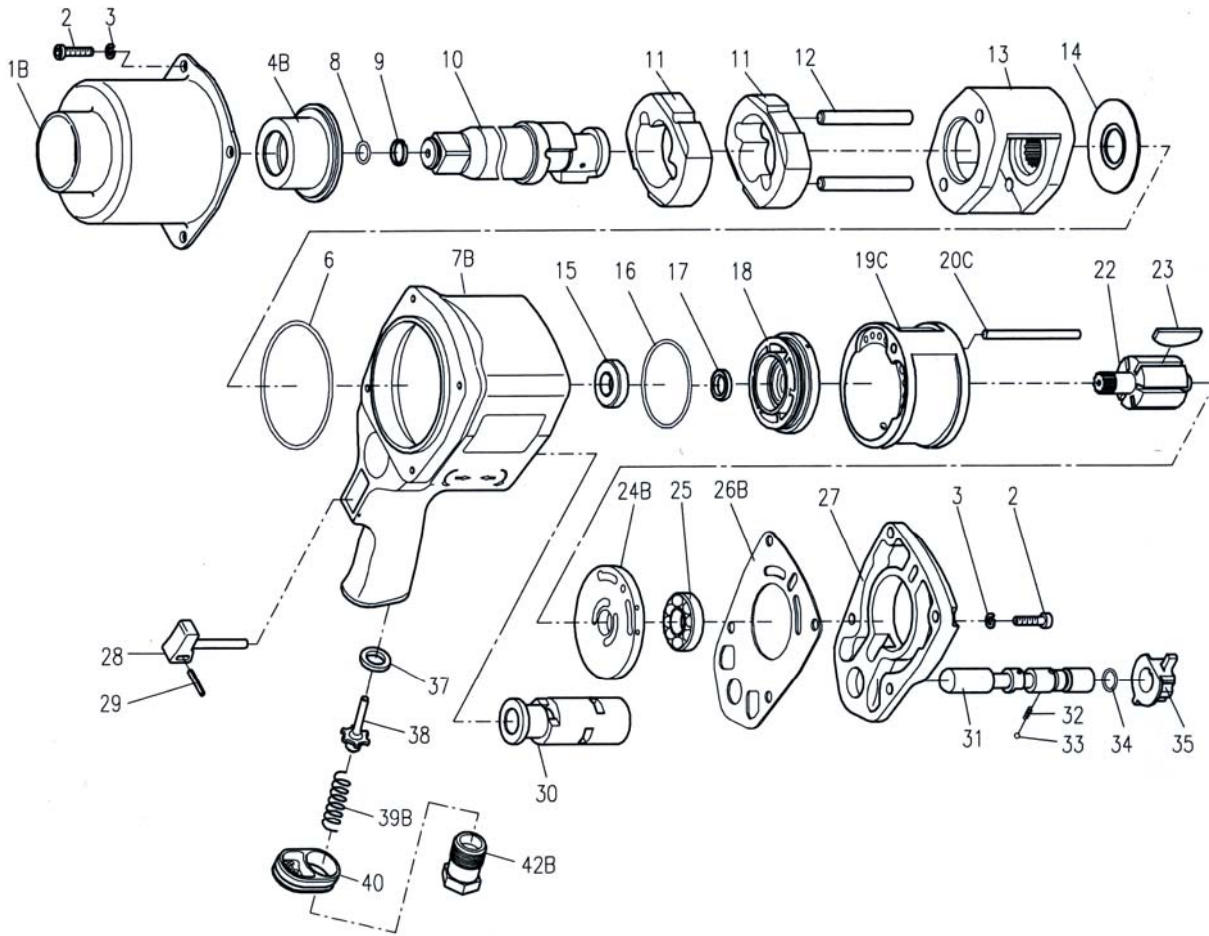


3/4" Impact wrench - Schlagschrauber - Boulonneuse - Slagmoersleutel



ITEM NO.	REF. NO.	DESCRIPTION	
1B	AV0001	HAMMER CASE	
2	AV0002	CAP SCREW (8)	
3	AV0003	SPRING WASHER (8)	
4B	AV0004	BUSHING	
6	AV0005	O-RING	
7B	AV0006	MOTOR HOUSING	
8	AV0007	O-RING	
9	AV0008	ANVIL COLLAR	
10	AV0009-1	ANVIL	
	AV0009-2	6" ANVIL	
11	AV0010	HAMMER (2)	
12	AV0011	HAMMER PIN (2)	
13	AV0012	HAMMER CAGE	
14	AV0013	REAR WASHER	
15	AV0014	BALL BEARING	
16	AV0015	O-RING	
17	AV0016	OIL SEAL	
18	AV0017	FRONT END PLATE	
19C	AV0018	CYLINDER	
20C	AV0019	PIN	

ITEM NO.	REF. NO.	DESCRIPTION	
22	AV0020	ROTOR	
23	AV0021	ROTOR BLADE (6)	
24B	AV0022	REAR END PLATE	
25	AV0023	BALL BEARING	
26B	AV0024	REAR GASKET	
27	AV0025	REAR COVER	
28	AV0026	TRIGGER	
29	AV0027	SPRING PIN	
30	AV0028	VALVE SLEEVE	
31	AV0029	REVERSE VALVE	
32	AV0030	SPRING	
33	AV0031	STEEL BALL	
34	AV0032	O-RING	
35	AV0033	REGULATOR KNOB	
37	AV0034	BUSHING	
38	AV0035	VALVE STEM	
39B	AV0036	SPRING	
40	AV0037	EXHAUST DEFLECTOR	
42B	AV0038	AIR INLET	