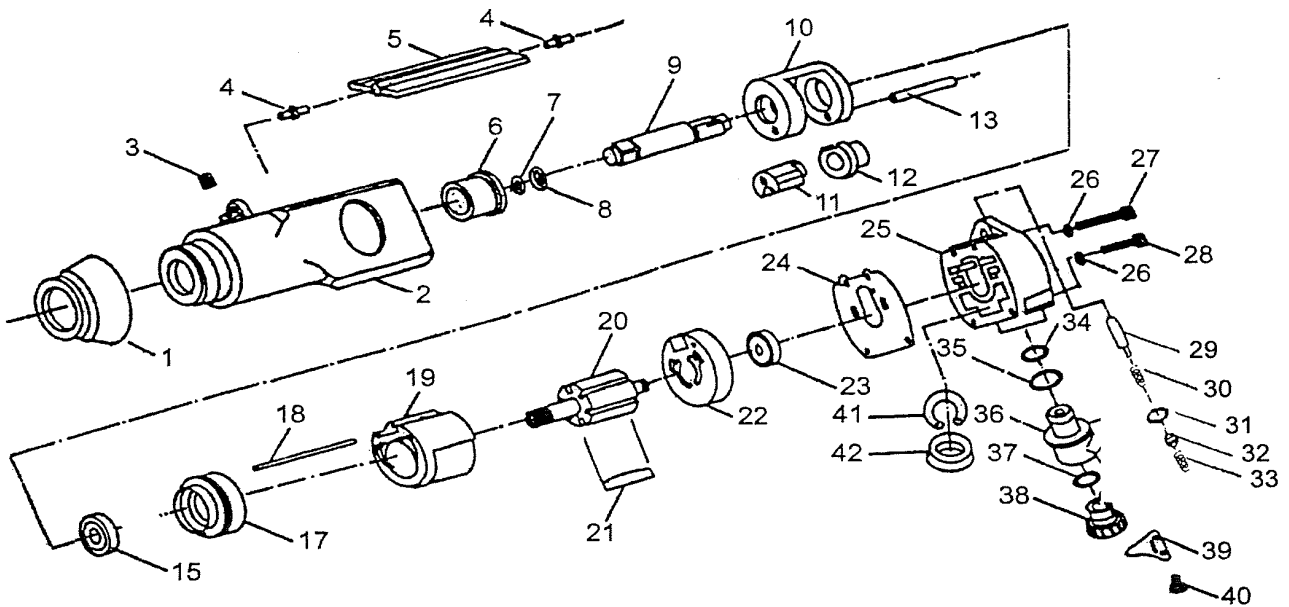


3/8" Impact wrench - Schlagschrauber - Boulonneuse - Slagmoersleutel



ITEM NO.	REF. NO.	DESCRIPTION
1	AE0001	RUBBER NOSE GUARD
2	AE0002	MOTOR HOUSING
3	AE0003	OILER SCREW
4	AE0004	THROTTLE PIN (2)
5	AE0005	THROTTLE LEVER
6	AE0006	ANVIL BUSHING
7	AE0007	O-RING
8	AE0008	SOCKET RET RING
9	AE0009	ANVIL
10	AE0010	HAMMER CAGE
11	AE0011	HAMMER
12	AE0012	CAM
13	AE0013	HAMMER PIN
15	AE0015	BALL BEARING
17	AE0017	FRONT END PLATE
18	AE0018	MOTOR PIN
19	AE0019	CYLINDER
20	AE0020	ROTOR
21	AE0021	ROTOR BLADE (6)
22	AE0022	REAR END PLATE
23	AE0023	BALL BEARING

ITEM NO.	REF. NO.	DESCRIPTION
24	AE0024	BACK CAP GASKET
25	AE0025	BACK CAP
26	AE0026	LOCK WASHER (4)
27	AE0027	CAP SCREW - LONG (2)
28	AE0028	CAP SCREW - SHORT (2)
29	AE0029	PLUNGER (2)
30	AE0030	SPRING (2)
31	AE0031	O-RING (2)
31	AE0031-1	VALVE (2) (OLD)
32	AE0032	VALVE SEAT (2)
33	AE0033	VALVE SPRING (2)
34	AE0034	O-RING
35	AE0035	O-RING
36	AE0036	AIR INLET BLOCK
37	AE0037	O-RING
38	AE0038	REGULATOR
39	AE0039	RETAINER PLATE
40	AE0040	SCREW (2)
41	AE0041	RETAINING RING
42	AE0042	FIXING RING