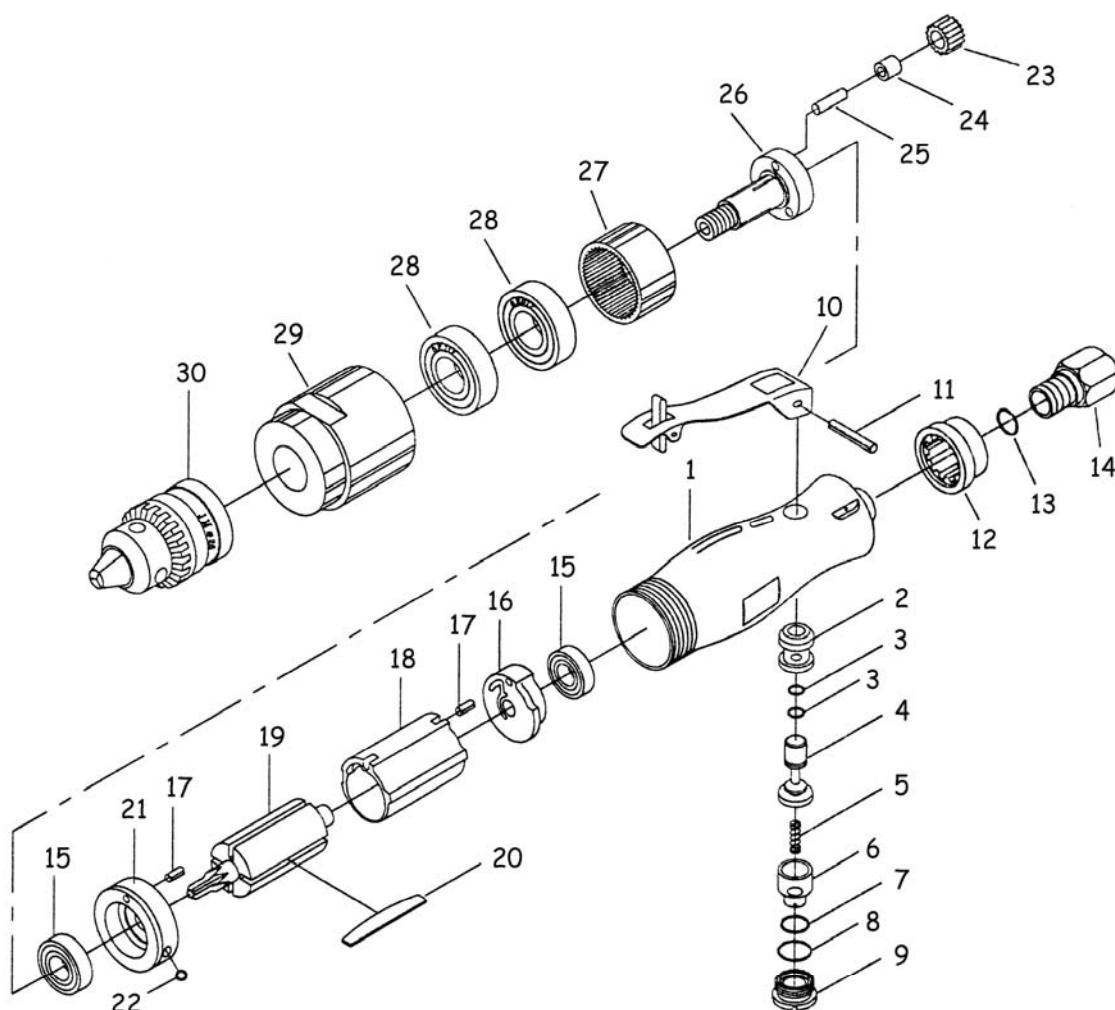


Straight Drill



ITEM NO.	REF. NO.	DESCRIPTION	
1	DF0001	MOTOR HOUSING	
2	DF0002	VALVE BUSHING	
3	DF0003	O-RING (2)	
4	DF0004	VALVE STEM	
5	DF0005	SPRING	
6	DF0006	AIR REGULATOR	
7	DF0007	O-RING	
8	DF0008	O-RING	
9	DF0009	VALVE SCREW	
10	DF0010	THROTTLE LEVER	
11	DF0011	LEVER PIN	
12	DF0012	EXHAUST SLEEVE	
13	DF0013	O-RING	
14	DF0014	INLET BUSHING	
15	DF0015	BALL BEARING	
16	DF0016	REAR END PLATE	

ITEM NO.	REF. NO.	DESCRIPTION	
17	DF0017	MOTOR PIN (2)	
18	DF0018	CYLINDER	
19	DF0019	ROTOR	
20	DF0020	ROTOR BLADE (4)	
21	DF0021	ROTOR COLLAR	
22	DF0022	FRONT END PLATE	
23	DF0023	ROLL PIN	
24	DF0024	INTERNAL GEAR	
25	DF0025	PLANET CAGE	
26	DF0026	PLANET PIN	
27	DF0027	IDLE GEAR BUSHING	
28	DF0028	BALL BEARING	
29	DF0029	HOUSING CAP	
30	DF0030	3/8" DRILL CHUCK	
		SK4 SPANNER WRENCH	