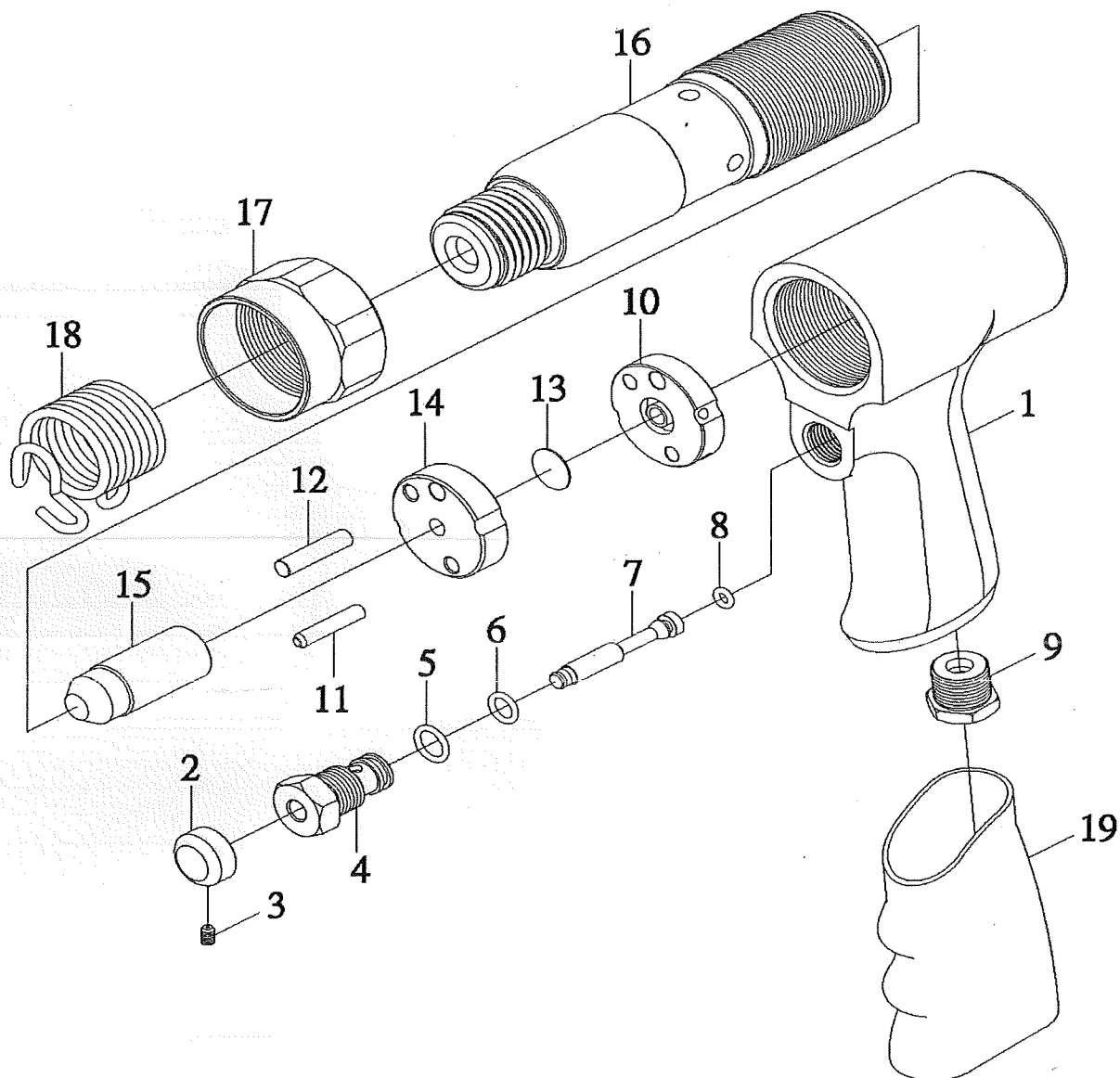


Hammer - Meisselhammer - hakhamer - Burineurs - Scalpelli ad Aria



ITEM NO.	REF. NO.	DESCRIPTION
1	BQ0001	HANDLE
2	BQ0002	BUTTON
3	BQ0003	SCREW
4	BQ0004	VALVE BUSHING
5	BQ0005	O-RING (d9.8 x W1.9)
6	BQ0006	O-RING (d7.8 x W1.9)
7	BQ0007	THROTTLE VALVE
8	BQ0008	O-RING (d3.8 x W1.9)
9	BQ0009	INLET BUSHING
10	BQ0010	UPPER VALVE ASSY
11	BQ0011	DOWEL PIN (S)

ITEM NO.	REF. NO.	DESCRIPTION
12	BQ0012	DOWEL PIN (L)
13	BQ0013	VALVE DISC
14	BQ0014	LOWER VALVE SEAT
15	BQ0015	PISTON
16	BQ0016	CYLINDER ROUND (S)
		CYLINDER HEX 10mm (S)
		CYLINDER HEX 11mm (S)
17	BQ0017	LOCK NUT
18	BQ0018	RETAINER SPRING
19	BQ0019	GRIP