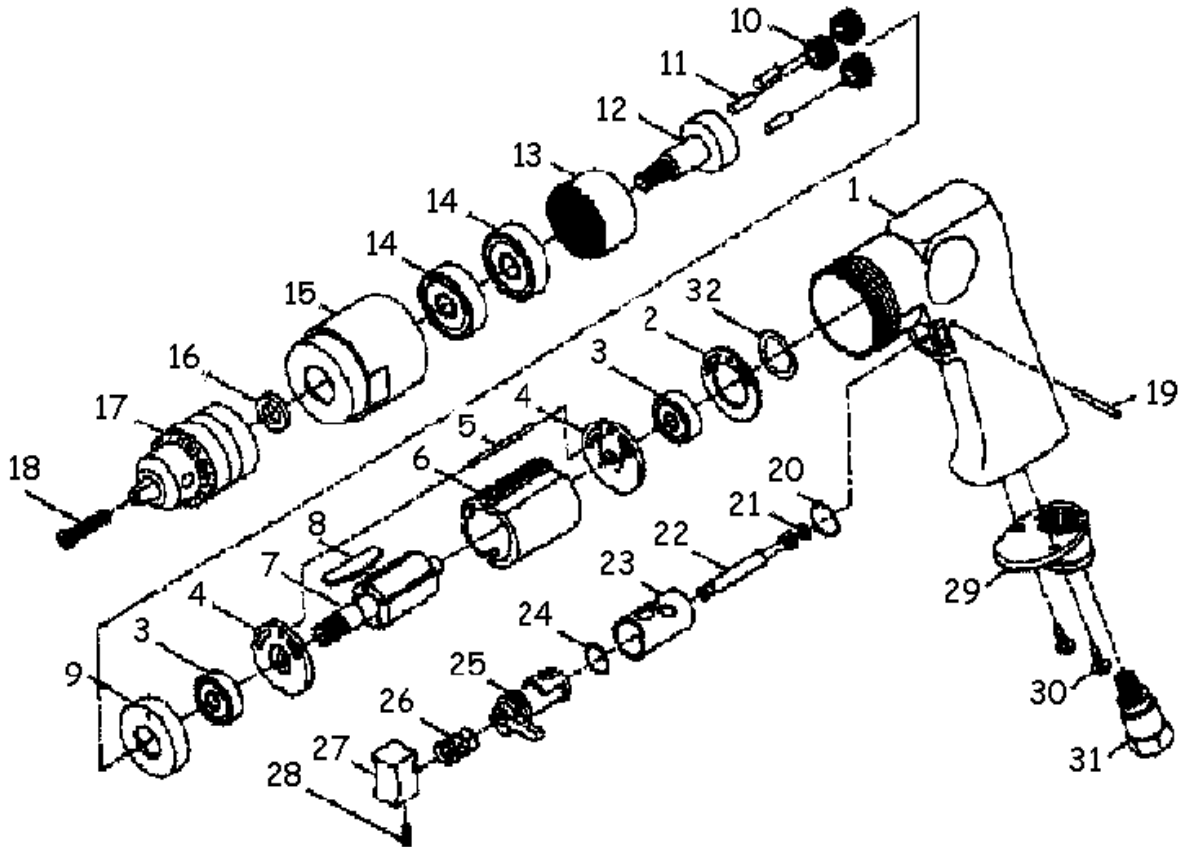


Drill reversible w. Keyless chuck - Bohrmaschine l/r umsteuerbar m. Schnellspann - bohrfutter
 - Boormachine links/rechts draaiend Snelspanboorkop - Perceuse / reversible autoserrant
 - 10 mm - 1.800 rpm



ITEM NO.	DESCRIPTION	
1	MOTOR HOUSING	
2	GASKET	
3	BEARING (2)	
4	END PLATE (2)	
5	PIN	
6	CYLINDER	
7	ROTOR	
8	BLADE (5)	
9	BEARING CASE	
10	PLANET GEAR (3)	
11	PIN (3)	
12	GEAR COMPLETE	
13	ANNULAR GEAR	
14	BEARING	
15	GEAR HOUSING	
16	CHUCK SPACER	

ITEM NO.	DESCRIPTION	
17	DRILL CHUCK	
18	SCREW	
19	PIN	
20	O-RING	
21	O-RING	
22	VALVE STEM	
23	REVERSE BUSHING	
24	O-RING	
25	REVERSE LEVER	
26	VALVE SPRING	
27	TRIGGER	
28	SCREW	
29	EXHOUST DIFFUSER	
30	SCREW	
31	AIR INLET	
32	WAVE WASHER	