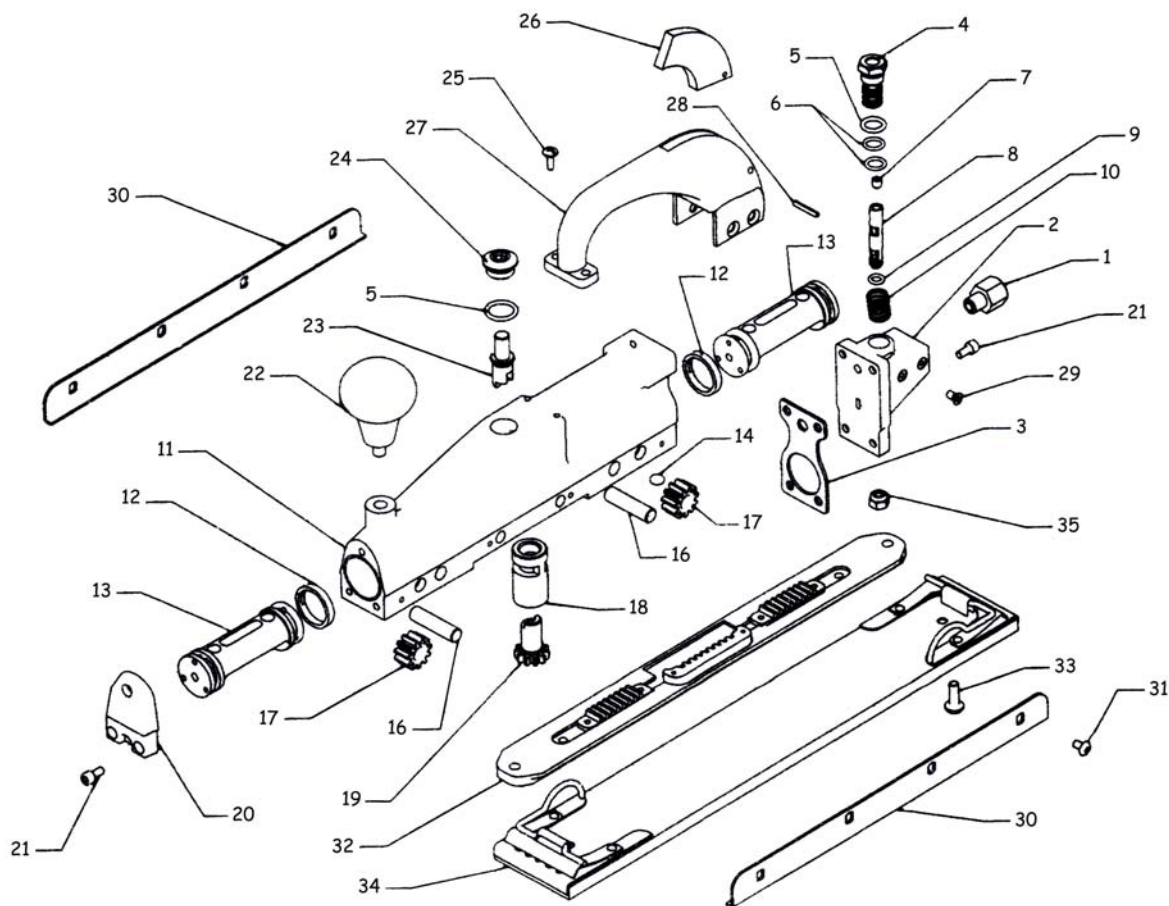


## Straight Line Sander



ITEM NO.	REF. NO.	DESCRIPTION	
1	AE0001	HOSE ADAPTER	
2	AE0002	REAR HEAD	
3	AE0003	PARKING	
4	AE0004	VALVE	
5	AE0005	O-RING (2)	
6	AE0006	O-RING (2)	
7	AE0007	SOCKET SCREW	
8	AE0008	SWITCH CONTROL BAT	
9	AE0009	O-RING	
10	AE0010	SPRING	
11	AE0011	BODY ASSEMBLY	
12	AE0012	PISTON RING (2)	
13	AE0013	PISTON (2)	
14	AE0014	WEAR BOTTOM (8)	
16	AE0015	PIN (2)	
17	AE0016	GEAR (2)	
18	AE0017	ACTUATOR VALVE	

ITEM NO.	REF. NO.	DESCRIPTION	
19	AE0018	ACTUATOR GEAR	
20	AE0019	FRONT HEAD	
21	AE0020	SCREW (7)	
22	AE0021	KNOB ASSEMBLY	
23	AE0022	ADJ. SHAFT	
24	AE0023	PLUNGER	
25	AE0024	SCREW (2)	
26	AE0025	TRIGGER	
27	AE0026	HANDLE	
28	AE0027	PIN	
29	AE0028	SCREW (4)	
30	AE0029	SIDE STRAPE (2)	
31	AE0030	SCREW (8)	
32	AE0031	CARRIER ASSEMBLY	
33	AE0032	SCREW (2)	
34	AE0033	PAD ASSEMBLY	
35	AE0034	HEX. NUT (2)	