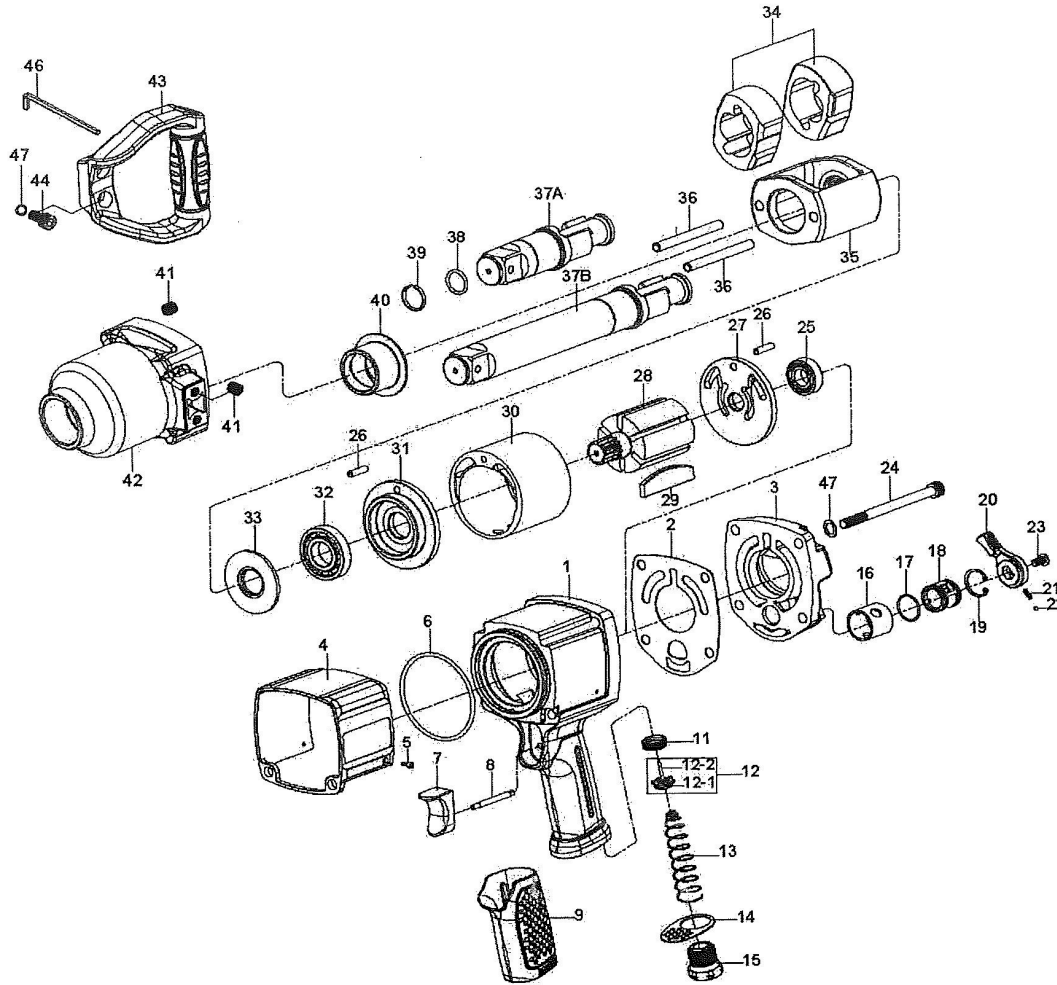


1" SQ. DR. SUPER DUTY AIR IMPACT WRENCH



ITEM NO.	REF. NO.	DESCRIPTION
★1	BN001	Housing Assembly (incl.9.11)
2	BN002	Gasket
★3	BN003	Backhead (incl.16)
4	BN004	Rubber Grip
5	BN005	Screw (2)
6	BN006	O-Ring
7	BN007	Trigger
8	BN008	Trigger Pin
●9	BN009	Rubber Grip
●11	BN011	Throttle Valve Seat
★12	BN012	Throttle Valve Assembly (incl.12-1.12-2)
●12-1	BN012-1	Throttle Valve
●12-2	BN012-2	Throttle Valve Pin
13	BN013	Spring
14	BN014	Exhaust Deflector
15	BN015	Air Inlet
●16	BN016	Reverse Valve Bushing
17	BN017	O-Ring
18	BN018	Reverse Valve
19	BN019	Retainer
20	BN020	Reverse Valve Knob
21	BN021	Spring
22	BN022	Steel Ball
23	BN023	Screw
24	BN024	Screw (4)

ITEM NO.	REF. NO.	DESCRIPTION
●25	BN0025	Bearing
26	BN0026	Pin (2)
★27	BN0027	End Plate Assembly (incl.25)
28	BN0028	Rotor
29	BN0029	Rotor Blade (6)
30	BN0030	Cylinder
31	BN0031	End Plate
32	BN0032	Bearing
33	BN0033	Washer
34	BN0034	Hammer (2)
35	BN0035	Hammer Frame
36	BN0036	Hammer Pin (2)
37A	BN0037A	Standard Anvil
37B	BN0037B	6" Extended Anvil
38	BN0038	O-Ring
39	BN0039	Socket Retainer
●40	BN0040	Bushing
●41	BN0041	Heli-Coil (6)
★42	BN0042	Hammer Case Assembly (incl.40.41)
43	BN0043	Side Spade Handle
44	BN0044	Screw (2)
46	BN0046	Hex Key Wrench
47	BN0047	Washer (6)
TK		Tune-Up Kit incl.2.6.13.17.21.22.29(6).38.39

★Must be Purchased in Assembly Set

●Recommended not to be purchased alone due to assembly difficulty