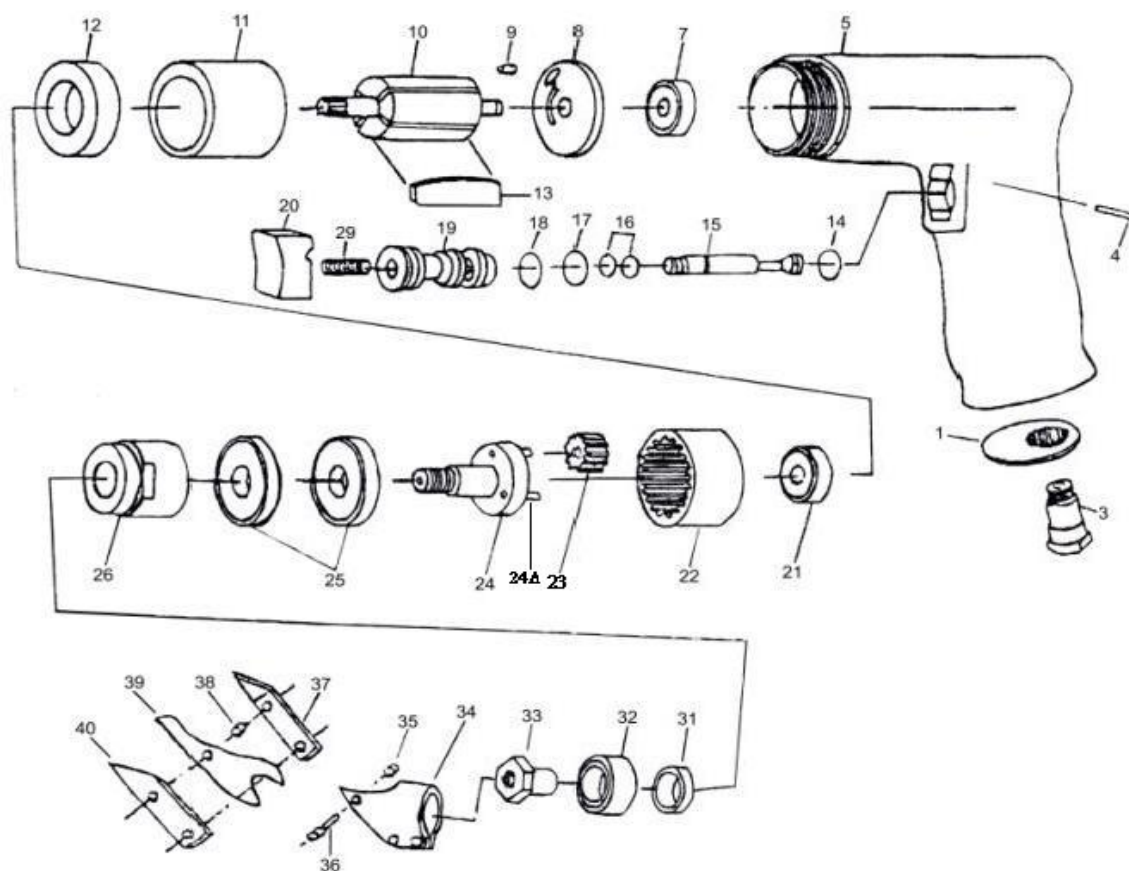


Metal Shear



ITEM NO.	REF. NO.	DESCRIPTION	
1	BJ0001	HOUSING END CAP	
3	BJ0002	AIR INLET	
4	BJ0003	PIN	
5	BJ0004	MOTOR HOUSING	
5A	BJ0005	STEEL BALL	
7	BJ0006	BALL BEARING	
8	BJ0007	ROAR END PLATE	
9	BJ0008	ROLL PIN	
10	BJ0009	ROTOR	
11	BJ0010	CYLINDER	
12	BJ0011	FRONT END PLATE	
13	BJ0012	ROTOR BLADE (4)	
14	BJ0013	O-RING	
15	BJ0014	VALVE STEM	
16	BJ0015	O-RING (2)	
17	BJ0016	O-RING	
18	BJ0017	O-RING	
19	BJ0018	VALVE BODY	
20	BJ0019	TRIGGER (4)	

ITEM NO.	REF. NO.	DESCRIPTION	
20A	BJ0020	SET SCREW	
22	BJ0021	INTERNAL GEAR	
23	BJ0022	PLANET GEAR (3)	
24	BJ0023	PLANET CAGE	
24A	BJ0024	NEDDLE ROLLER	
25	BJ0025	BALL BEARING (2)	
26	BJ0026	CLAMP NUT	
29	BJ0027	SPRING	
31	BJ0028	SPACER (2)	
32	BJ0029	BEARING	
33	BJ0030	EXCENTRIC NUT	
34	BJ0031	CUTTER HOUSING	
35	BJ0032	LOCK NUT (3)	
36	BJ0033	LOCK SCREW (3)	
37	BJ0034	LEFT BLADE	
38	BJ0035	SPACER (2)	
39	BJ0036	CENTER BLADE	
40	BJ0037	RIGHT BLADE	
37-40		HEAD	
SA1570HD		COMPLETE HEAD (31-40)	