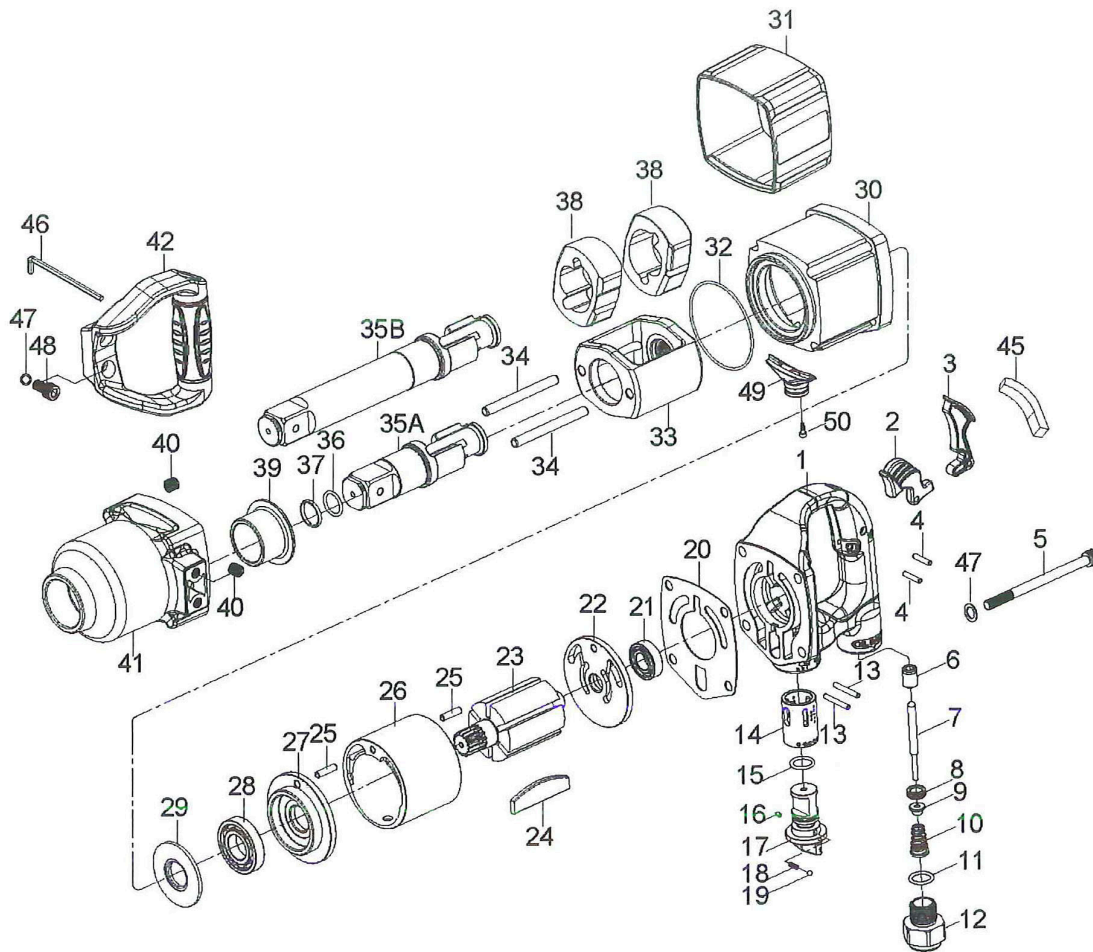


## 1" AIR IMPACT WRENCH W/6" ANVIL



ITEM NO.	REF. NO.	DESCRIPTION
★1	BN001	Backhead Assembly (incl.6.14)
2	BN002	Inside Trigger (Option)
3	BN003	Outside Trigger (Option)
4	BN004	Pin (2)
5	BN005	Screw (4)
●6	BN006	Bushing
7	BN007	Throttle Valve Plunger
8	BN008	Throttle Valve Seat
9	BN009	Throttle Valve
10	BN010	Spring
11	BN011	O-Ring
12	BN012	Air Inlet
13	BN013	Pin (2)
●14	BN014	Reverse Valve Bushing
15	BN015	O-Ring
16	BN016	Pin
17	BN017	Reverse Valve
18	BN018	Spring
19	BN019	Steel Ball
20	BN020	Gasket
●21	BN021	Bearing
★22	BN022	End Plate Assembly (incl.21)
23	BN023	Rotor
24	BN024	Rotor Blade (6)
25	BN025	Pin

ITEM NO.	REF. NO.	DESCRIPTION
26	BN0026	Cylinder
27	BN0027	End Plate
28	BN0028	Bearing
29	BN0029	Washer
30	BN0030	Housing
31	BN0031	Rubber Grip
32	BN0032	O-Ring
33	BN0033	Hammer Frame
34	BN0034	Hammer Pin (2)
35A	BN0035A	Standard Anvil
35B	BN0035B	6" Extended Anvil
36	BN0036	O-Ring
37	BN0037	Socket Retainer
38	BN0038	Hammer (2)
●39	BN0039	Bushing
●40	BN0040	Heli-Coil (6)
★41	BN0041	Hammer Case Assembly (incl.39.40)
42	BN0042	Side Spade Handle
45	BN0045	Rubber Cap (for Inside Trigger)
46	BN0046	Hex Key Wrench
47	BN0047	Washer (6)
48	BN0048	Screw (2)
49	BN0049	Exhaust Deflector (Option)
50	BN0050	Screw (for Exhaust Deflecto) (2)
TK	BN00TK	Tune-Up Kit (incl.10.11.15.18.19.20.21.24(6).28.32.36.37)

★Must be Purchased in Assembly Set

●Recommended not to be purchased alone due to assembly difficulty