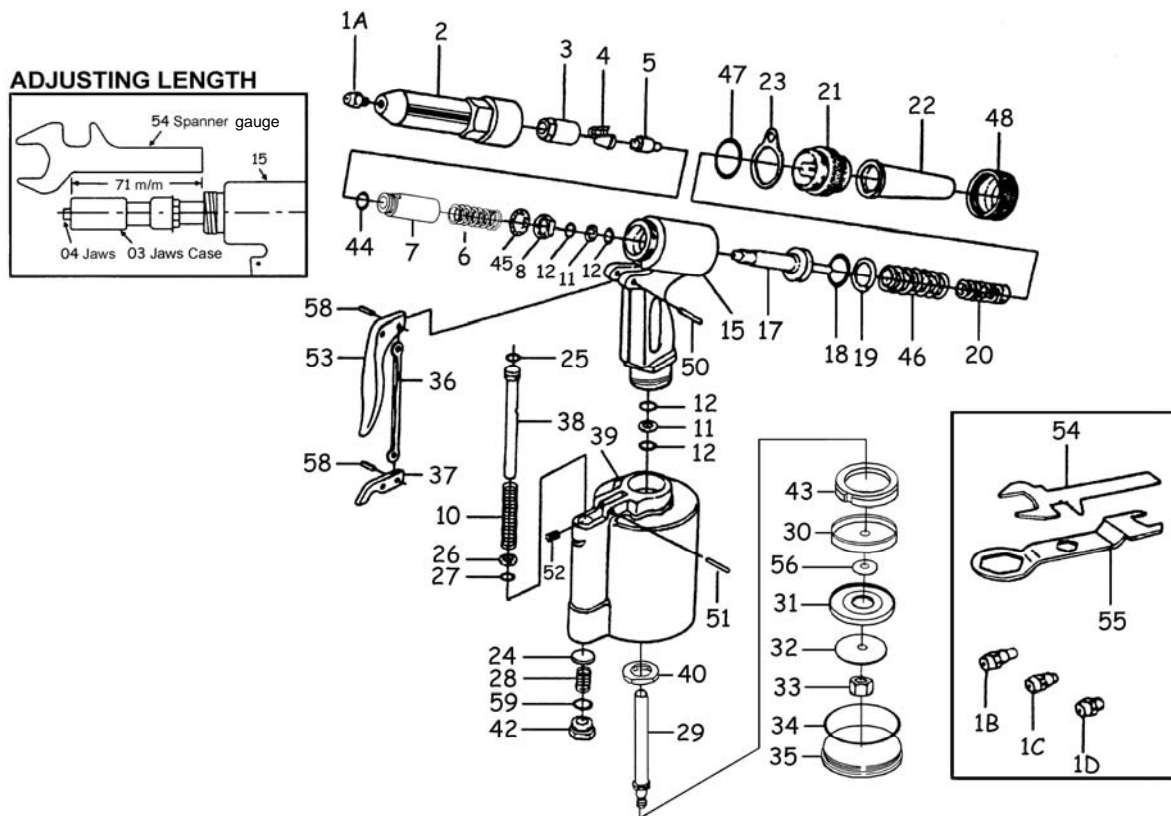


Riveter



ITEM NO.	REF. NO.	DESCRIPTION
1A	AL0001	NOSE PIECE 4.8m/m (3/16")
1B	AL0002	NOSE PIECE 4.0m/m (5/32")
1C	AL0003	NOSE PIECE 3.2m/m (1/8")
1D	AL0004	NOSE PIECE 2.4m/m (3/32")
2	AL0005	NOSE HOUSING 87L
2L	AL0006	LONG NOSE HOUSING 162L
3	AL0007	JAWS CASE HEAD
4	AL0008	JAWS "M" (5X10) (2)
5	AL0009	JAW PUSHER
6	AL0010	JAW PUSHER SPRING
7	AL0011	JAW CASE BACK PART
7L	AL0012	LONG JAW CASE BACK PART
8	AL0013	JAW CASE LOCK NUT
10	AL0014	VALVE PUSHER SPRING
11	AL0015	B-RING P12
12	AL0016	O-RING P12 (2)
15	AL0017	FRAME
17	AL0018	OIL PISTON
18	AL0019	O-RING P22A
19	AL0020	B-RING P22A
20	AL0021	RETURN SPRING (INNER)
21	AL0022	FRAME CAP
22	AL0023	SAFETY CAP
23	AL0024	HANGER CLIP
24	AL0025	VALVE (DISC)
25	AL0026	O-RING P7
26	AL0027	COLLAR FOR VALVE PUSHER
27	AL0028	O-RING P6
28	AL0029	VALVE SPRING
29	AL0030	AIR PISTON ROD

ITEM NO.	REF. NO.	DESCRIPTION
30	AL0031	BUMPER SET
31	AL0032	CUP PACKING
32	AL0033	PISTON WASHER
33	AL0034	LOCK NUT
34	AL0035	O-RING P.60
35	AL0036	AIR CYLINDER CAP
36	AL0037	TRIGGER CONNECTOR ROD
37	AL0038	TRIGGER LEVER
38	AL0039	VALVE PUSHER TUBE
39	AL0040	AIR CYLINDER
40	AL0041	FRAME LOCK NUT
42	AL0042	NIPPLE END PLUG
43	AL0043	BUMPER (RUBBER CUSHING)
44	AL0044	O-RING
45	AL0045	LOCK WASHER
46	AL0046	RETURN SPRING (OUTER)
47	AL0047	O-RING
48	AL0048	SAFETY CAP NUT
50	AL0049	SPRING PIN
51	AL0050	SPRING PIN
52	AL0051	LOCK SCREW
53	AL0052	TRIGGER (LONG)
54	AL0053	SPANNER GAUGE 15,14
55	AL0054	SPANNER 24, 17, 10
56	AL0055	PISTON WASHER SEAT
58	AL0056	SPRING PIN
59	AL0057	O-RING
60	AL0058	UNIVERSAL JOINT(360°).0046A or B
61	AL0059	OTHER THREAD JOINT PM20