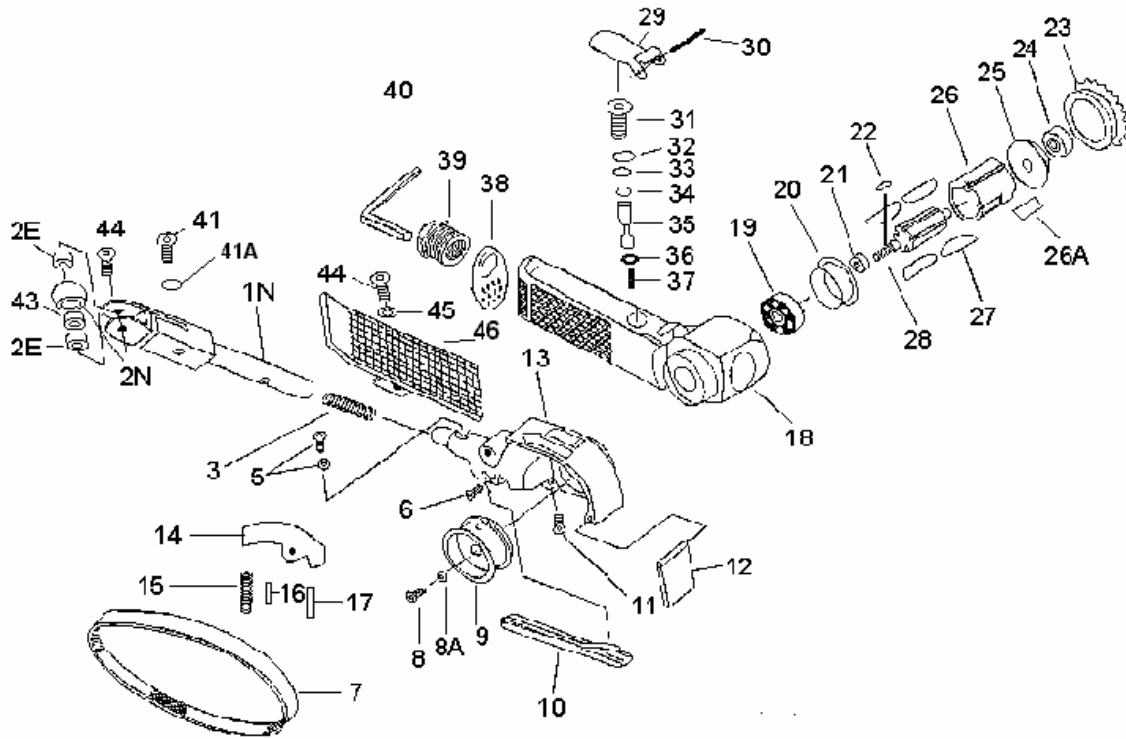


Belt Sander



ITEM NO.	REF. NO.	DESCRIPTION	
1N	BJ0001	IDLE PULLEY BRACKET SUB ASSY	
2	BJ0002	IDLE PULLEY SET (2N,2E,43)	
2N	BJ0003	IDLE PULLEY	
2E	BJ0004	BALL BEARING (2)	
3	BJ0005	SPRING	
4	BJ0006	FINGER PAD ASSY	
5	BJ0007	HEXAGON SOCKET HEAD BOLT	
5A	BJ0008	CUP SPRING	
6	BJ0009	HEXAGON SOCKET HEAD BOLT 5x12	
7	BJ0010	GRINDING BELT (#100)	
7A	BJ0011	GRINDING BELT (#80)	
8	BJ0012	HEXAGON SOCKET HEAD BOLT 6x16	
8A	BJ0013	WASHER	
9	BJ0014	DRIVE PULLEY	
10	BJ0015	FLAT SHOE	
11	BJ0016	HEXAGON SOCKET HEAD BOLT 5x15	
12	BJ0017	DUST COVER	
13	BJ0018	GUARD BODY	
14	BJ0019	TENSION BAR	
15	BJ0020	SPRING	
16	BJ0021	LEVER PIN	
17	BJ0022	LEVER PIN	
18	BJ0023	HOUSING	
19	BJ0024	BALL BEARING	
20	BJ0025	END PLATE B	
21	BJ0026	SPACER 10x13x3	
22	BJ0027	SUNK KEY 2x2.5x10	

ITEM NO.	REF. NO.	DESCRIPTION	
23	BJ0028	CAP	
24	BJ0029	BALL BEARING	
25	BJ0030	END PLATE A	
26	BJ0031	CYLINDER	
26A	BJ0032	LEVER PIN 3x6	
27	BJ0033	BLADE ASSY (5)	
28	BJ0034	ROTOR	
29	BJ0035	THROTTLE LEVER	
30	BJ0036	LEVER PIN	
31	BJ0037	VALVE BODY	
32	BJ0038	O-RING	
33	BJ0039	O-RING	
34	BJ0040	O-RING	
35	BJ0041	VALVE STEM	
36	BJ0042	O-RING	
37	BJ0043	VALVE STEM	
38	BJ0044	DEFLECTOR	
39	BJ0045	AIR INLET	
40	BJ0046	HEXAGON WRENCH KEY 4	
41	BJ0047	SCREW	
42	BJ0048	IDLE PULLEY SCREW	
43	BJ0049	WASHER	
44	BJ0050	SCREW	
45	BJ0051	SPRING WASHER	
46	BJ0052	FINGER PAD ASSY	
41A	BJ0053	C-CLIPER	