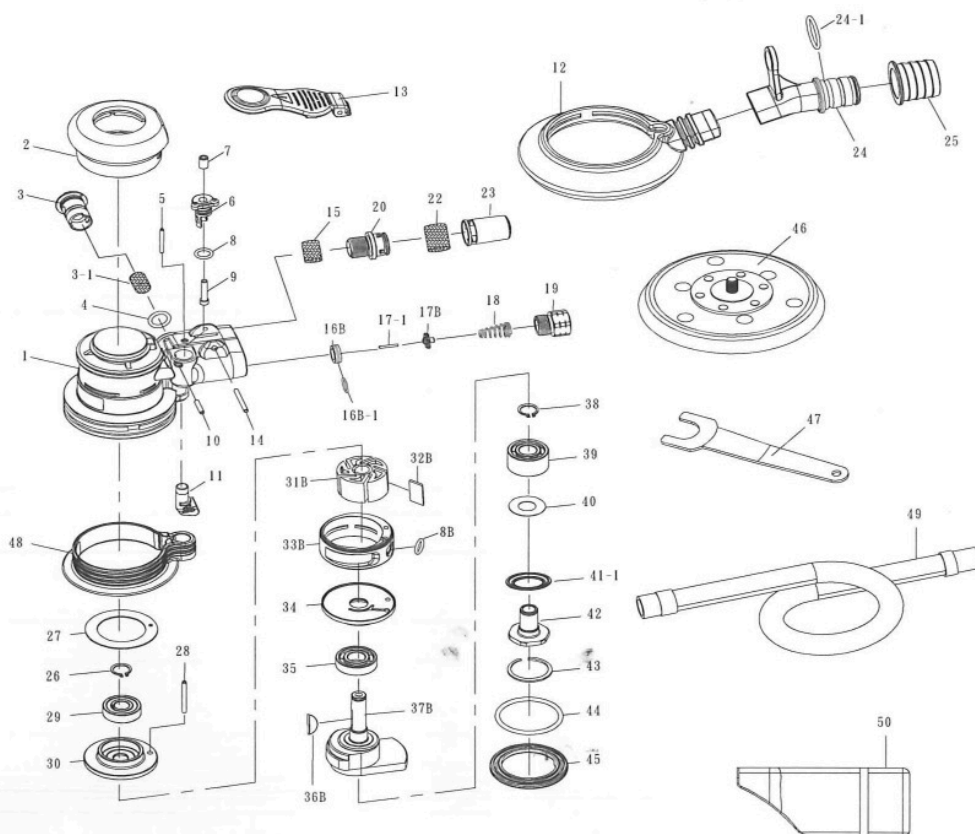


Sander - Schleifer - Schuurmachine - Autres Ponçouses - 10.000 rpm vario



| ITEM NO. | REF. NO. | DESCRIPTION |
|----------|-----------|---|
| 1 | BN0001 | MOTOR HOUSING |
| 2 | BN0002 | HOUSING COVER |
| 3 | BN0003 | REVERSE VALVE |
| 3-1 | BN0003-1 | MUFFLER INSERT |
| 4 | BN0004 | O-RING |
| 5 | BN0005 | PIN |
| ★6 | BN0006 | AIR REGULATOR (incl.7) |
| 7 | BN0007 | BUSHING |
| 8 | BN0008 | O-RING |
| 8B | BN0008B | O-RING |
| 9 | BN0009 | VALVE STEM |
| 10 | BN0010 | PIN |
| 11 | BN0011 | SUCTION TUBE |
| 12 | BN0012 | PAD COVER |
| 13 | BN0013 | TRIGGER |
| 14 | BN0014 | SPRING PIN |
| 15 | BN0015 | MUFFLER ELEMENT |
| ★16B | BN0016B | THROTTLE VALVE SEAT ASSEMBLY (incl.16B-1) |
| 16B-1 | BN0016B-1 | O-RING |
| ★17B | BN0017B | THROTTLE VALVE (incl.17-1) |
| 17-1 | BN0017B-1 | THROTTLE VALVE PIN |
| 18 | BN0018 | SPRING |
| 19 | BN0019 | AIR INLET |
| 20 | BN0020 | EXHAUST DEFLECTOR SCREW |
| 22 | BN0022 | MUFFLER ELEMENT (2) |
| 23 | BN0023 | EXHAUST DEFLECTOR |
| 24 | BN0024 | VACUUM ADAPTER |
| 24-1 | BN0024-1 | O-RING |

| ITEM NO. | REF. NO. | DESCRIPTION |
|----------|----------|--|
| 25 | BN0025 | HOSE ADAPTER |
| 26 | BN0026 | RETAINER |
| 27 | BN0027 | GASKET |
| 28 | BN0028 | SPRING PIN |
| 29 | BN0029 | BALL BEARING |
| 30 | BN0030 | REAR END PLATE |
| 31B | BN0031B | ROTOR |
| 32B | BN0032B | ROTOR BLADE (5) |
| 33B | BN0033B | CYLINDER |
| 34 | BN0034 | FRONT END PLATE |
| 35 | BN0035 | BALL BEARING |
| 36B | BN0036B | KEY |
| ★37B | BN0037B | CRANK SHAFT (5mm) (incl.36B) |
| 38 | BN0038 | RETAINER |
| 39 | BN0039 | BEARING |
| 40 | BN0040 | BEARING SEAL |
| 41-1 | BN0041-1 | WASHER |
| 42 | BN0042 | RANDOM SHAFT |
| 43 | BN0043 | RETAINER |
| 44 | BN0044 | O-RING |
| 45 | BN0045 | LOCK RING |
| 46 | BN0046 | 6" SANDER PAD (OPTION) |
| 47 | BN0047 | WRENCH |
| 48 | BN0048 | PROTECTIVE CASING |
| 49 | BN0049 | SUCTION HOSE (OPTION) |
| 50 | BN0050 | DIRT POCKET (OPTION) |
| TK | BN00TK | TUNE-UP KIT { 3-1.4.8.15.16B.16B-1.18.22 } |