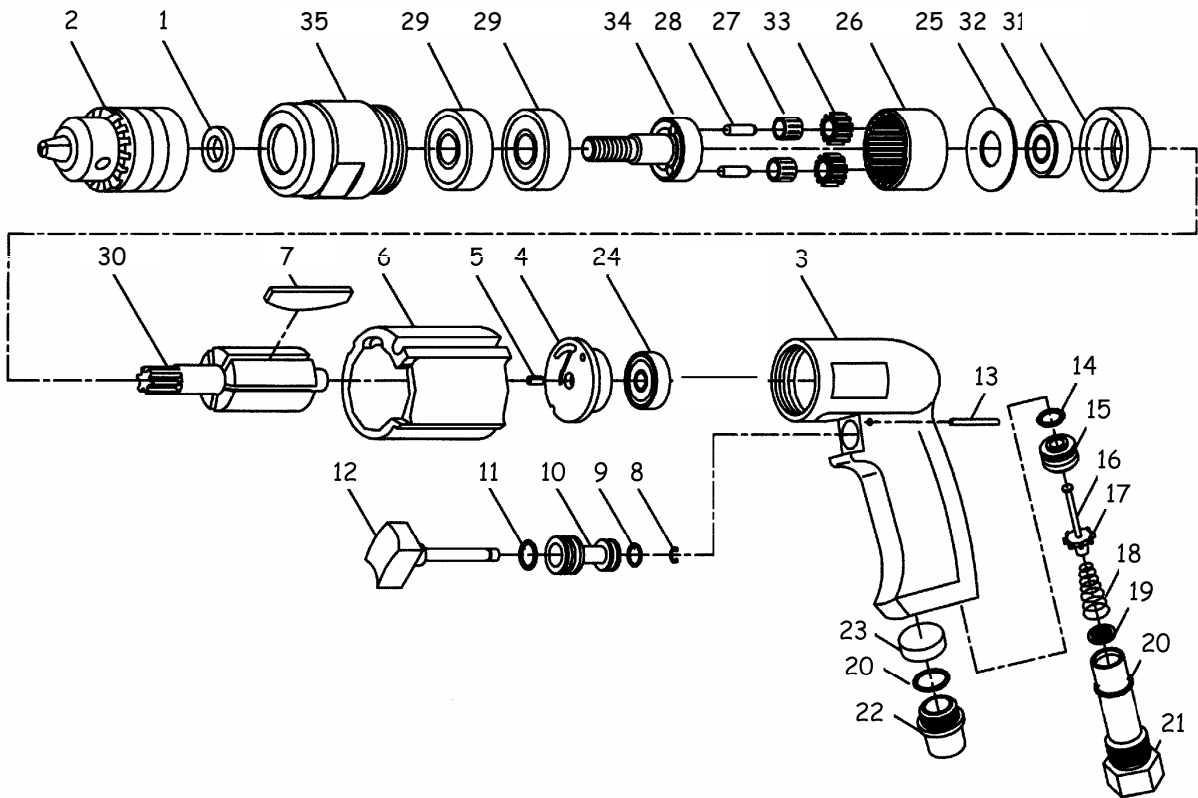


Drill - 10mm - 3.500 rpm



ITEM NO.	REF. NO.	DESCRIPTION	
1	EI0001	CHUCK SPACER	
2	EI0002	DRILL CHUCK	
3	EI0003	BODY	
4	EI0004	END PLATE	
5	EI0005	PIN	
6	EI0006	CYLINDER	
7	EI0007	REAR BEARING (4)	
8	EI0008	E-RING	
9	EI0009	O-RING	
10	EI0010	VALVE BODY	
11	EI0011	O-RING	
12	EI0012	TRIGGER	
13	EI0013	SPRING PIN	
14	EI0014	O-RING	
15	EI0015	BUSHING	
16	EI0016	VALVE PIN	
17	EI0017	VALVE	
18	EI0018	SPRING	

ITEM NO.	REF. NO.	DESCRIPTION	
19	EI0019	FILTER	
20	EI0020	O-RING (2)	
21	EI0021	AIR INLET	
22	EI0022	P/M SILENCER	
23	EI0023	SPONGY SILENCER	
24	EI0024	BALL BEARING	
25	EI0025	WASHER	
26	EI0026	ANNULAR GEAR	
27	EI0027	NEEDLE BEARING (3)	
28	EI0028	PIN (3)	
29	EI0029	BALL BEARING (2)	
30	EI0030	ROTOR	
31	EI0031	FRONT END PLATE	
32	EI0032	BALL BEARING	
33	EI0033	PINION GEAR (3)	
34	EI0034	GEAR COMPLETE	
35	EI0035	NOSE HOUSING	